



HDR200 Series - Navtech Radar

HDR200 Series

MODELS

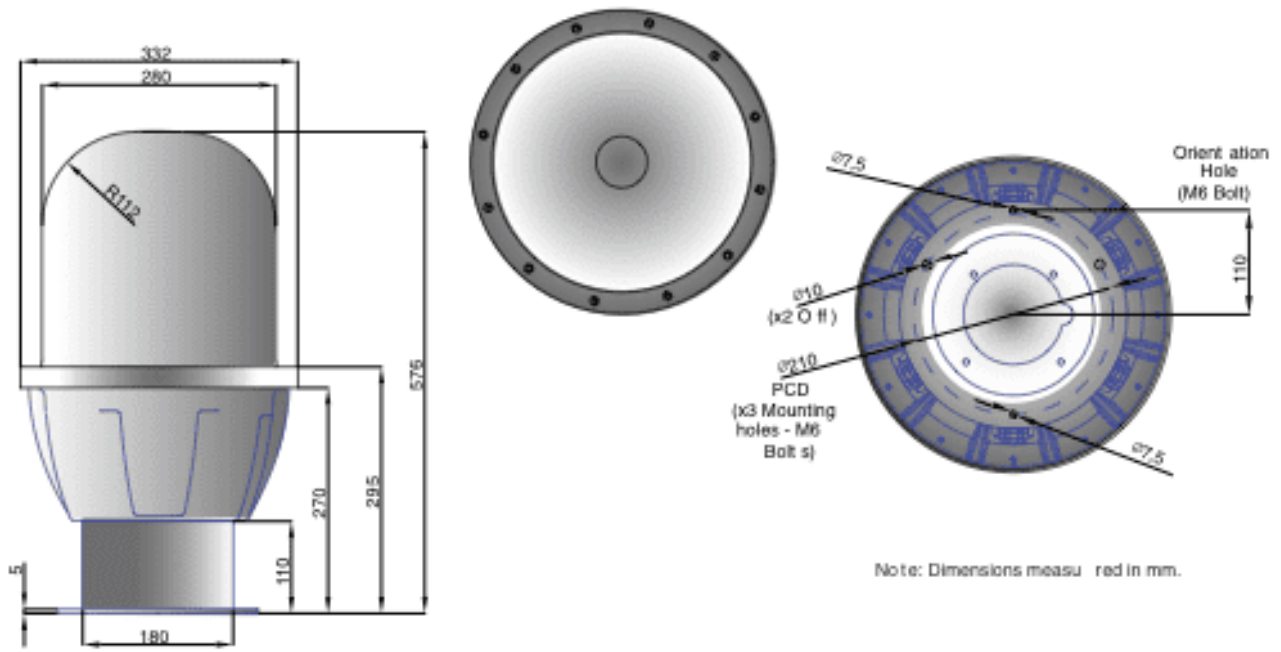
HDR200 Models	Indicative Range	Update Rate
HDR292	1,000 metres	2 Hz
HDR291	1,000 metres	1 Hz
HDR282	800 metres	2 Hz
HDR281	800 metres	1 Hz
HDR252	500 metres	2 Hz
HDR251	500 metres	1 Hz

SPECIFICATIONS

Specifications	HDR200 Series
Operating Frequency	76 - 77 GHz
Operating Range	5-1000m Person 5-1000m Vehicle
Range Resolution	0.175m
Azimuth Beamwidth	1.8°
Elevation Beamwidth	4°
Infill Elevation Beam	Optional

Specifications	HDR200 Series
Measurement Rate	400 per rotation
Field of View	360°
Update Rate (Rotation Speed)	1s (1Hz) 0.5s (2Hz)
Data Connection	1 Gbps Ethernet
Power Consumption	24 Watts
Power Supply	24 Volts DC
Weight	14 Kg
Mounting Height	HDR25*, HDR28*: 2-4m HDR29*: 3-6m
Safe Working Distance (from radome)	0.1m
Operating Temperature	-20°C to + 60°C
Environmental	UL50/50E IP 67 BS EN 60068-2-52:1996 Test Kb Severity 3
Compliance	CE, UKCA, ACMA, FCC Marked
EMC Directive	2014/30/EU
Low Voltage Directive	2014/35/EU
Radio Equipment Directive	2014/53/EU

DIMENSIONS



Navtech Radar

Home Farm, Ardington, Wantage, Oxfordshire, OX12 8PD, UK.

hello@navtechradar.com

+44 (0)1235 832 419

